

1

2

3

4

A

A

B

B

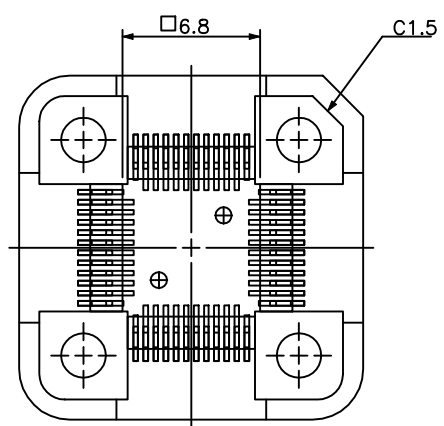
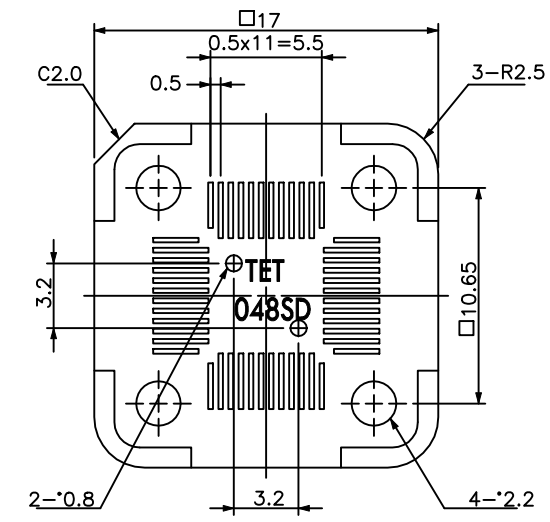
C

C

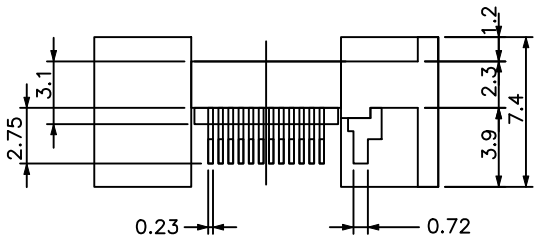
D

D

REVISIONS				
ZONE	REV	DESCRIPTION	DATE	APPROVED




BOTTOM VIEW



IC package	Square
Pin count	48Pin
Lead pitch	0.5mm

DRAWING NOT TO SCALE

ALL DIMENSIONS ARE IN MILLIMETERS

 <a href="http://www.adapters.com">www.adapters.com</a>	<b>adapters.com</b> <i>An Embedded Systems Solutions Company</i>		
	DESCRIPTION: BASE-HQ-048Q5-IC-CVR		
TEL:(408)855-8527 FAX:(408)855-8528 3024 Scott Blvd. Santa Clara, CA 95054	SIZE <b>A</b>	DATE: 12-10-01	PART NO. <b>000-2076-00</b>
SCALE 1:1	CHECKED: Gabor Kardos	DRAWN BY: S. Barcellos	REV SHEET

1

2

3

4