

1

2

3

4

A

B

C

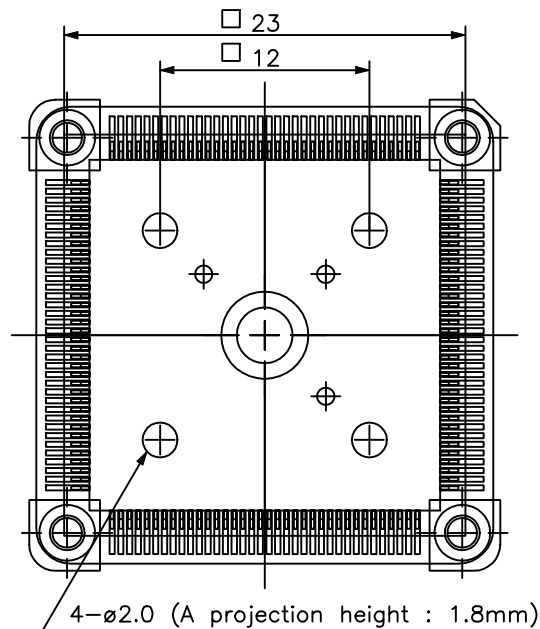
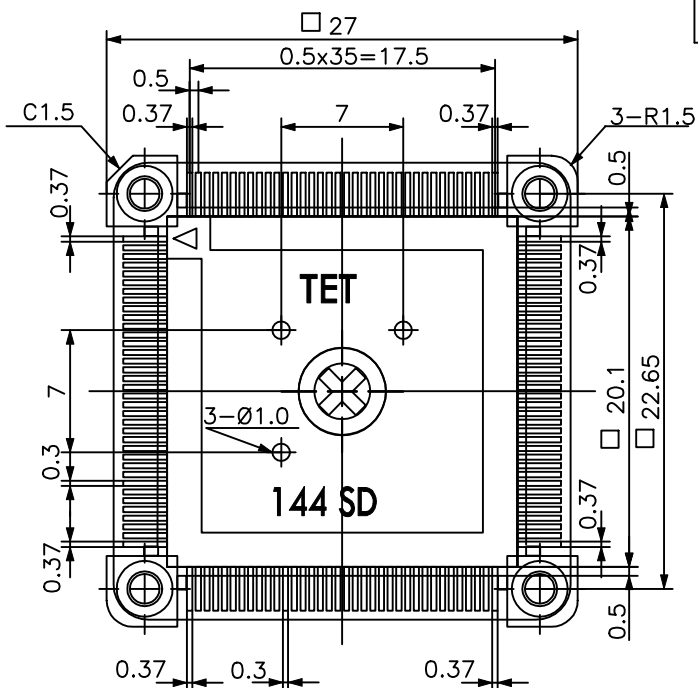
D

A

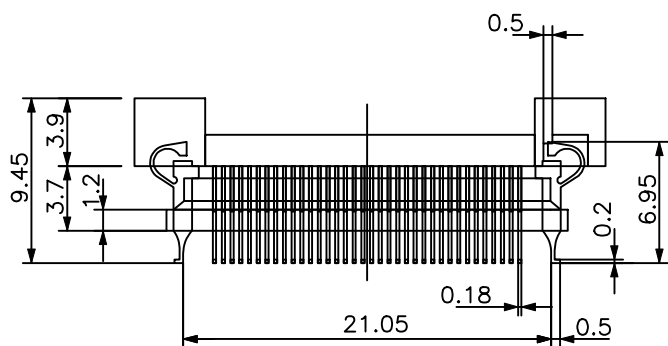
B

C

D



IC package	Square
Pin count	144Pin
Lead pitch	0.5mm



DRAWING NOT TO SCALE


www.adapters.com

adapters.com
An Embedded Systems Solutions Company

DESCRIPTION:
BASE-NQ-144Q5-SMT

TEL:(408)855-8527
FAX:(408)855-8528

SIZE DATE:
A 12-12-01

PART NO. **000-2303**

REV

3024 Scott Blvd.
Santa Clara, CA 95054

SCALE 1:1

CHECKED:
Gabor KardosDRAWN BY:
S. Barcellos

SHEET

ALL DIMENSIONS ARE IN MILLIMETERS

1

2

3

4