

1

2

3

4

A

A

B

B

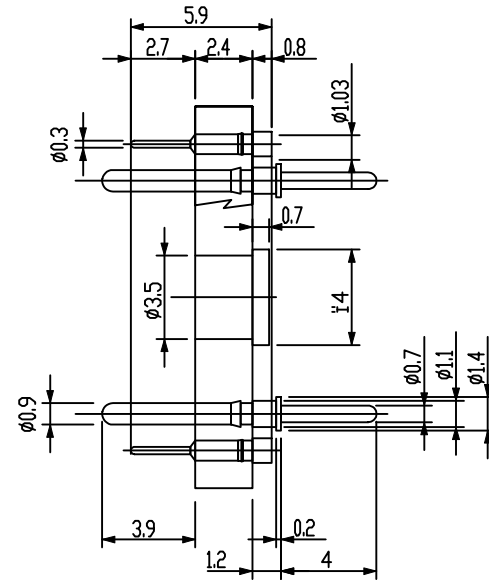
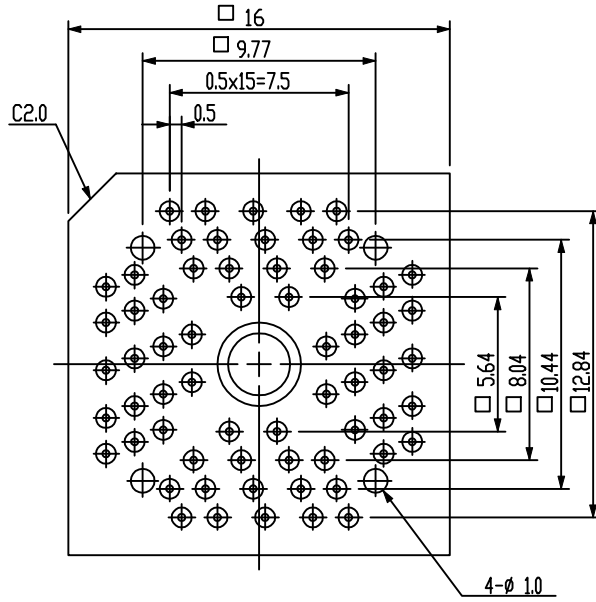
C

C

D


D

REVISIONS				
ZONE	REV	DESCRIPTION	DATE	APPROVED



IC package	Square
Pin count	64 Pin
Lead pitch	0.50mm

ALL DIMENSIONS ARE IN MILLIMETERS

 <a href="http://www.adapters.com">www.adapters.com</a>	<i>An Embedded Systems Solutions Company</i>		
	<b>DO NOT SCALE DRAWING</b>		
DESCRIPTION: <b>RECEP-TQ-064Q5-3.9mmGP-FSTNR</b>			
TEL:(408)855-8527 FAX:(408)855-8528 3024 Scott Blvd. Santa Clara, CA 95054	SIZE: <b>A</b> DATE: <b>2-15-02</b>	PART NO.: <b>000-2786</b>	REV:
SCALE: <b>1:1</b>	CHECKED: <i>Eabor Kardos</i>	DRAWN BY: <i>S. Barcellos</i>	SHEET 1 of 1

1

2

3

4