

1

2

3

4

A

A

B

B

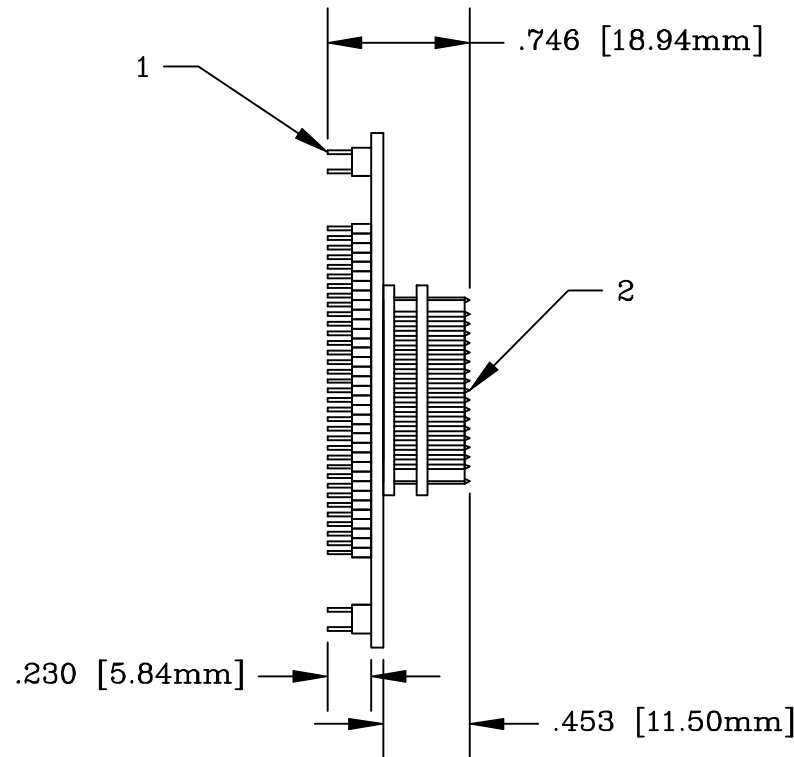
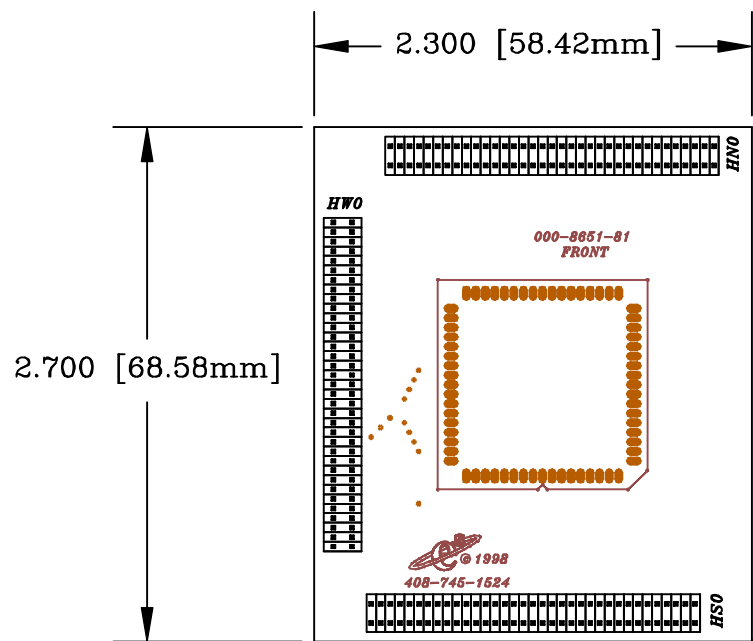
C

C


D

D

REVISIONS				
ZONE	REV	DESCRIPTION	DATE	APPROVED



NO.	PART NUMBER	DESCRIPTION	QTY.
1	000-1425-35	HEADR-MS-M-(.050X.100)-2X35	3
2	000-4363-50	BASE-068PLCC-16.5m-SKT-532-TYPE2	1
3	000-8651-81	PCB-068PLCC-NOHAU-C515	1



**adapters.com**

*An Embedded Systems Solutions Company*

www.adapters.com

DESCRIPTION: EMADSKT-NOHAU-068PLCC-C515

TEL:(408)855-8527 FAX:(408)855-8528	SIZE: <b>A</b>	DATE: 4-13-99	PART NO. <b>180-3960-10</b>	REV
3024 Scott Blvd. Santa Clara, CA 95054	SCALE: <b>1:1</b>	CHECKED: <b>Gabor Kardos</b>	DRAWN BY: <b>S. Barcellos</b>	SHEET

1

2

3

4