

1

2

3

4

A

A

B

B

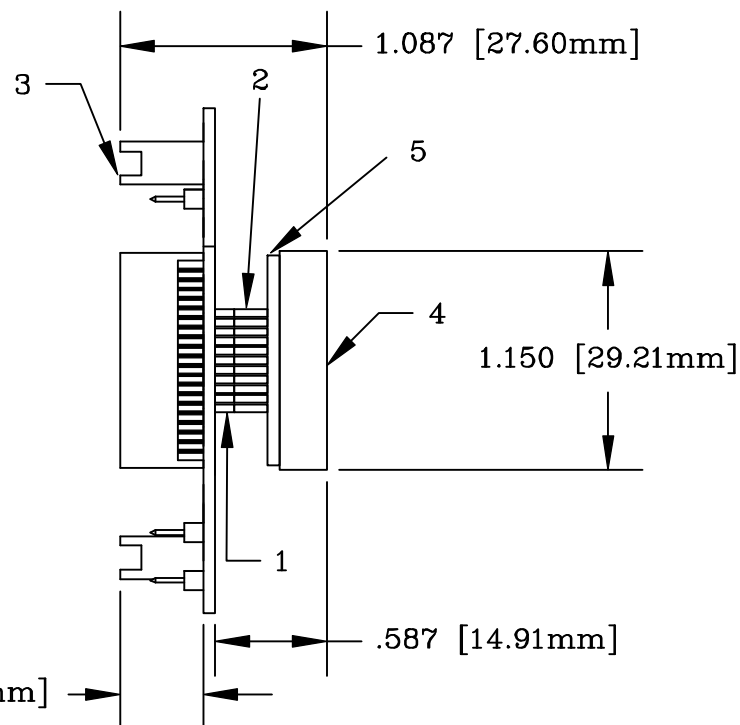
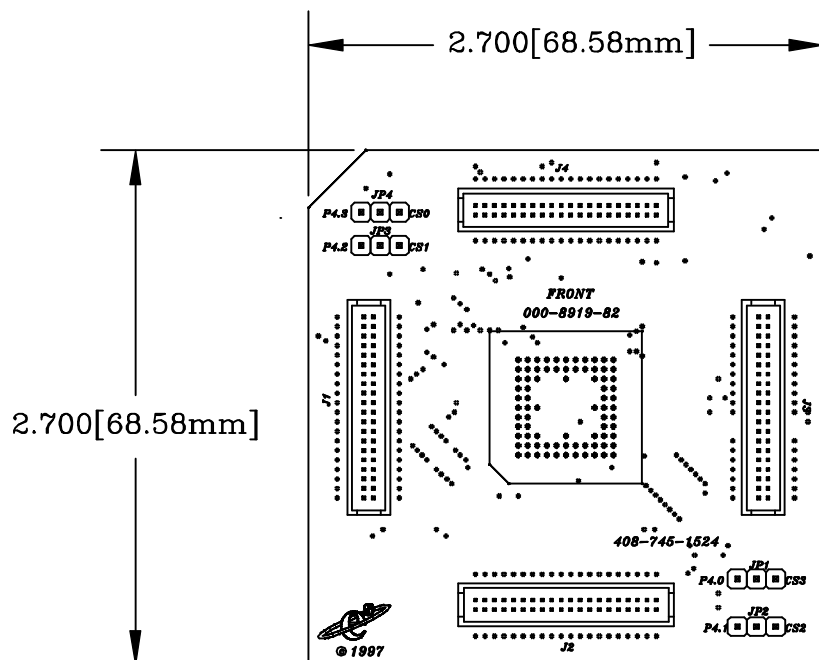
C

C


D

D

REVISIONS				
ZONE	REV	DESCRIPTION	DATE	APPROVED



NO.	PART NUMBER	DESCRIPTION	QTY.
1	000-1003-00	PIN-MS-M-(018d-150)(018d-150)	80
2	000-1051	PIN-MSP-F-(015-021d)-M-(018X180)	80
3	000-1620-20	HEADR-BOX-SMT-M-5-2X20-LOCKING	4
4	000-6276-01	SOCKET-PROBE-080Q65-ICP-4	1
5	000-8919-15	PCB-080Q65-ICP080-4	1
6	000-8919-82	PCB-NOHAU-080Q65-C164C1-Y-ICP	1


adapters.com
 An Embedded Systems Solutions Company

DESCRIPTION: EMADSMT-NOHAU-080Q65-C164C1-YP

TEL:(408)855-8527
 FAX:(408)855-8528

3024 Scott Blvd.
 Santa Clara, CA 95054

SIZE: A
 DATE: 10-22-98
 SCALE: 1:1

PART NO.: 180-5550-30
 CHECKED: Gabor Kardos
 DRAWN BY: S. Barcellos

REV: SHEET

1

2

3

4