

1

2

3

4

A

A

B

B

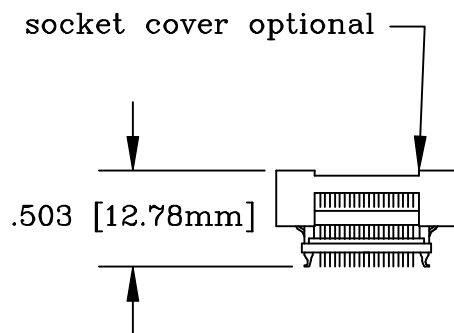
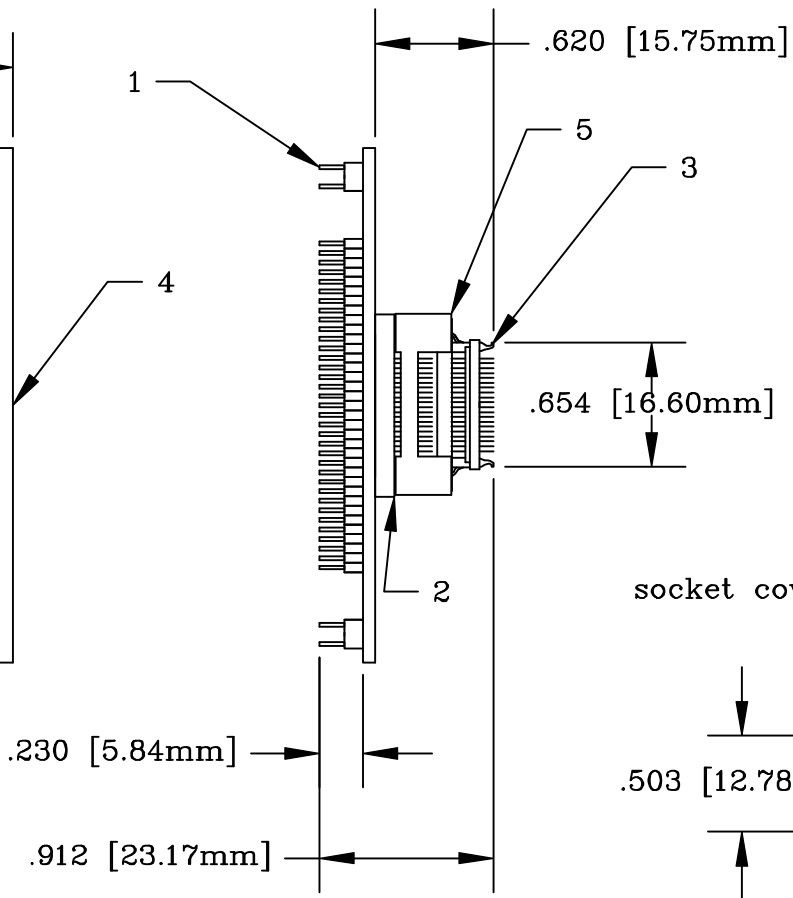
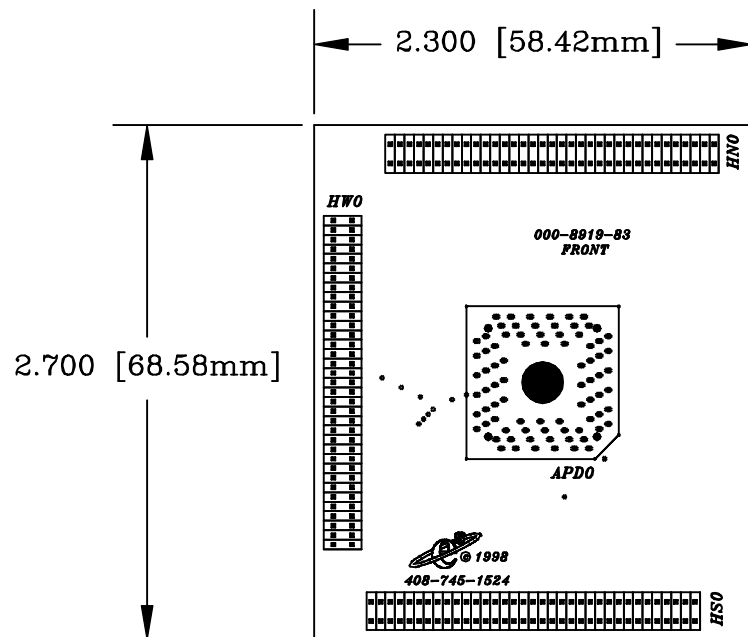
C

C

D

D

REVISIONS				
ZONE	REV	DESCRIPTION	DATE	APPROVED



NO.	PART NUMBER	DESCRIPTION	QTY.
1	000-1406-35	HEADR-MS-M-.050-.100-.120-2X35	3
2	000-2869	RECEP-TQ-080Q65-3mmGP-FSTNR	1
3	000-2177-00	BASE-NQ-080Q65-SMT	1
4	000-8919-83	PCB-NOHAU-080Q65-C515-TQ-.050	1
5	000-2179-00	BASE-YQ-080Q65-EM-CVR	1

adapters.com
An Embedded Systems Solutions Company

DESCRIPTION: EMADSM-TQ-NOHAU-080Q65-C515-NQ

TEL:(408)855-8527
FAX:(408)855-8528

3024 Scott Blvd.
Santa Clara, CA 95054

SIZE: A	DATE: 5-19-98	PART NO. 180-5550-40	REV
SCALE: 1:1	CHECKED: Gabor Kardos	DRAWN BY: S. Barcellos	SHEET

1

2

3

4