

1

2

3

4

A

A

B

B

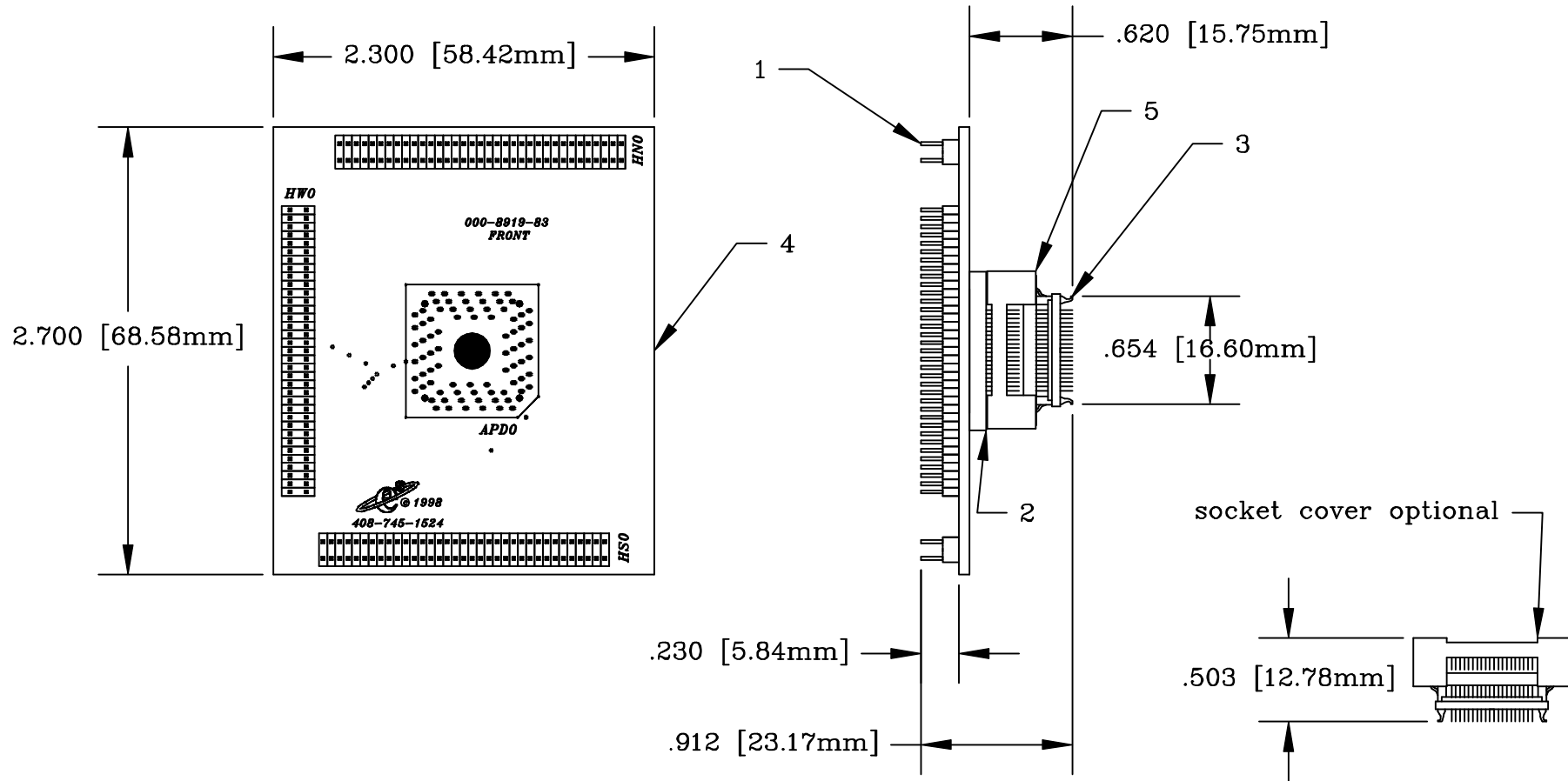
C

C

D

D

REVISIONS				
ZONE	REV	DESCRIPTION	DATE	APPROVED



NO.	PART NUMBER	DESCRIPTION	QTY.
1	000-1425-35	HEADR-MS-M-(.050x.100)-2x35	3
2	000-2869	RECEP-TQ-080Q65-3mmGP-FSTNR	1
3	000-2177-00	BASE-NQ-080Q65-SMT	1
4	000-8919-83	PCB-NOHAU-080Q65-C515-TQ-.050	1
5	000-2179-00	BASE-YQ-080Q65-EM-CVR	1

**adapters.com**  
An Embedded Systems Solutions Company

DESCRIPTION: EMADSMT-NOHAU-080Q65-C515-NQ

TEL:(408)855-8527  
FAX:(408)855-8528

3024 Scott Blvd.  
Santa Clara, CA 95054

SIZE: **A**    DATE: 5-19-98    PART NO. **180-5550-50**    REV

SCALE: **1:1**    CHECKED: **Gabor Kardos**    DRAWN BY: **S. Barcellos**    SHEET

1

2

3

4