

1

2

3

4

A

A

B

B

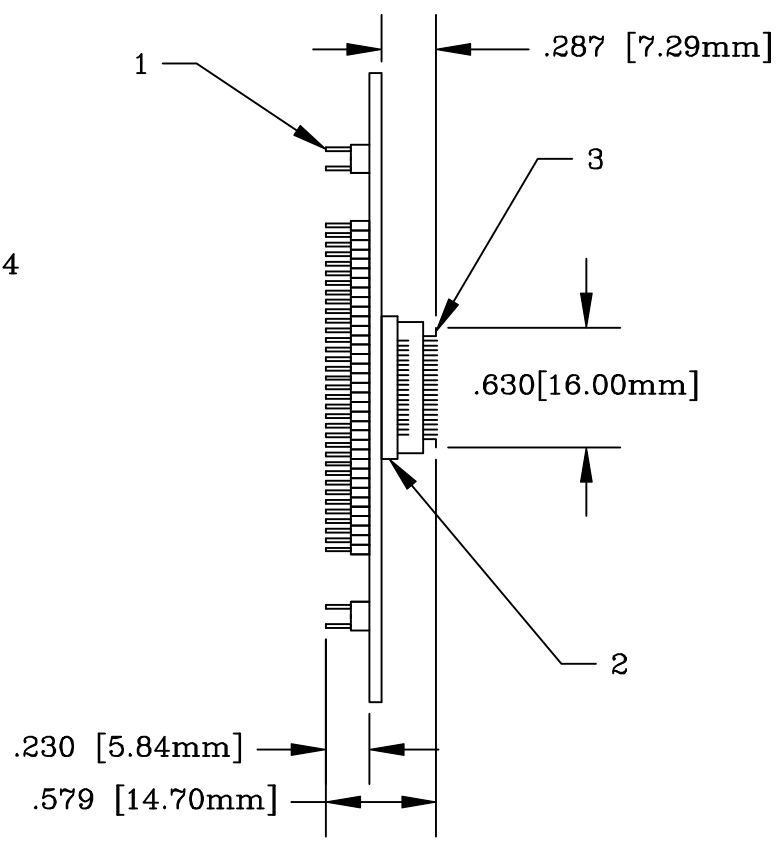
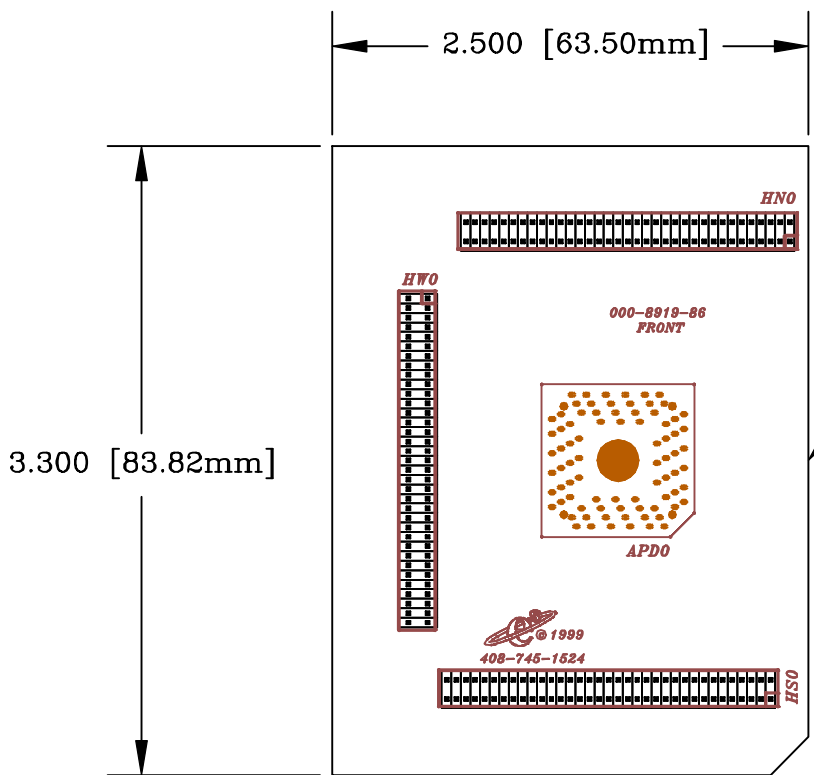
C

C

D

D

REVISIONS				
ZONE	REV	DESCRIPTION	DATE	APPROVED



NO.	PART NUMBER	DESCRIPTION	QTY.
1	000-1425-35	HEADR-MS-M-(.050X.100)-2X35	3
2	000-2869	RECEP-TQ-080Q65-3mmGP-FSTNR	1
3	000-4534	BASE-TQ-080Q65-SMT	1
4	000-8919-86	PCB-NOHAU-080Q65-TQ-C505L-.050*.1	1

adapters.com
An Embedded Systems Solutions Company

www.adapters.com

TEL:(408)855-8527
FAX:(408)855-8528

3024 Scott Blvd.
Santa Clara, CA 95054

DESCRIPTION:
EMADSMT-NOHAU-080Q65-C505L-TQ

SIZE A	DATE: 4-13-99	PART NO. 180-5550-65	REV
SCALE 1:1	CHECKED: Gabor Kardos	DRAWN BY: S. Barcellos	SHEET

1

2

3

4