



EJ-Debug for PXA3xx



- ❑ Supports Marvell®'s PXA3xx application processor series (code name Monahans)
- ❑ Supports wireless MMX®
- ❑ 2 Hardware breakpoints can be set for address and status conditions
- ❑ Unlimited software breakpoints
- ❑ Branch trace capability
- ❑ Flash Memory programming capability
- ❑ View and modify coprocessors
- ❑ View and modify the internal peripheral registers
- ❑ Perfect for prototype debugging or maintenance
 - USB Power - No AC adapter required
 - Pocket sized, only 86mm X 101mm X 23mm
- ❑ Pod Batch button for macro script execution
Great for short run production test and field service updates.
- ❑ USB to PC interface - 20 Pin JTAG connector
- ❑ Sophia's high-level language debugger, Watchpoint®, is included with all Sophia Systems emulators
Windows®2000/XP platforms

Specifications

Target CPU	Marvell®'s PXA3xx (code name Monahans) application processor series
Memory and I/O	Entire space is available to user
Interrupts	Both internal and external interrupts are available to user
Breakpoints and Break Options	<p>Execution address break options:</p> <ul style="list-style-type: none"> ● 2 hardware breakpoints*¹ <ul style="list-style-type: none"> Execution instruction address, memory access can be specified. <i>Note 1 Step Over, Step Out, Come to functions use 1 hardware breakpoint.</i> ● Unlimited software breakpoints <p>Other break options:</p> <ul style="list-style-type: none"> ● Debug monitor Forced break
Branch Trace	<p>It is possible to display branch instruction execution</p> <ul style="list-style-type: none"> ● Record of execution from the breakpoint ● Record of execution until break
Flash Memory	<p>Download to target external Flash memory</p> <p>* NAND Flash will be additionally supported upon customer request.</p>

Configuration

The EJ-Debug for Marvell's PXA3xx series provides a high level of software debugging from your PC/AT or notebook computer.

Hardware

A EJ-Debug system for Marvell's PXA3xx consists of the Probe Set with USB host interface.
(EJ-Debug for PXA3xx can not be used for other CPUs)

Software

Watchpoint®, a high-level language debugger for Windows®2000/XP, is included with the EJ-Debug.

Media:

CD-ROM

Supported Tool Chains:

Watchpoint supports the following compilers and OS:

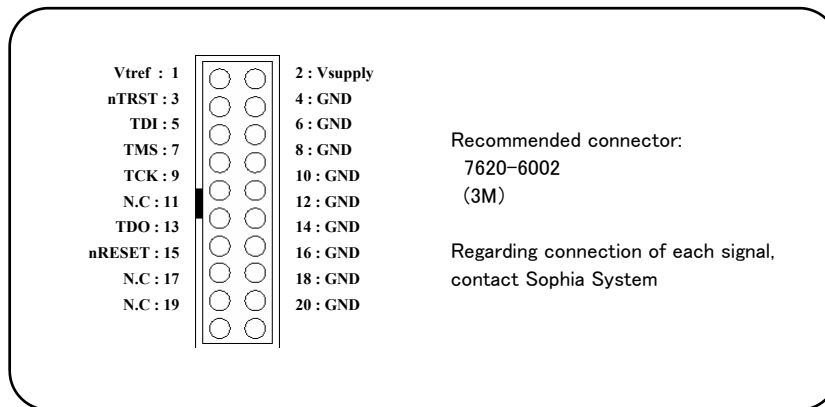
Compiler:

Intel C++ Software Development Tool Suite
ARM ADS, Real View

Supported OS:

Windows CE, Linux

Target ICE Connections



20-pin JTAG Interface Connector Pin Assignment (Top View)

Ordering Information

Part No.

EJD1301E

Description

Probe Set, EJ-Debug for PXA3xx with USB host interface and Watchpoint® debugger for Windows®2000/XP

System requirements for Watchpoint® Debugger:

OS: Windows2000/XP

Hard Disk: 25 Mbytes for installation

Memory: 64 Mbytes+ recommended)

Watchpoint is a registered trademark of Sophia Systems Co., Ltd.

Windows is a registered trademark of Microsoft Corporation.

All other brands and product names are trademarks or registered trademarks of their respective companies. All configurations are subject to change without notice.

Sophia
systems™

EECO

Enable Engineering Co. Inc.

Call 800.686.4228

email sales@eecosales.com

www.eecosales.com