

EJ-Debug for Ximo16



- * Hardware assisted JTAG debug for Ximo16 (made by New JRC)
- * Up to 4 Hardware breakpoints
- * Unlimited software breakpoint
- * Useful for field maintenance and debug.
 - USB bus powered (no AC adaptor required)
 - *Small size(86mm × 101mm × 23mm)
- * Macro scripts supported - Execution via user BATCH button
- *Excellent for prototype debug, assembly or production test, lab and on site firmware upgrades.
- * Includes WATCHPOINT IDE for C/C++ High level language, assembly, binary window panes.
 - Note - Watchpoint runs under: Windows2000/XP/Vista(32Bit)

Specification

Target CPU	Ximo16 series, Catfish, Alligator, Roadrunner
Power supply	VCC1.8~3.6V
Memory	Entire space is available to the user.
Interrupts	All interrupts are available to the user.
Breakpoints	<ul style="list-style-type: none"> •Hardware breakpoint: Maximum of 4 points. <ul style="list-style-type: none"> 2 hardware breakpoints Instruction X & U bus access, range, execution times can be specified. •Unlimited software breakpoints (Uses one hardware break point.) •Other: User forced break from debug session. <p>Note: Watchpoint uses one hardware breakpoint for the following commands:</p> <ul style="list-style-type: none"> •SBP •PASS step •Step OUT •COME Run

*1 Because operation check is necessary for some series, please confirm beforehand.

Configuration

Hardware

System consists of a JTAG debugger pod with a USB to PC interface.

* EJ-Debug Ximo16 ICE system is dedicated for Ximo16, and does not support any other CPU.

Software

Debug interface WATCHPOINT for C/C++ high level language is included.

Media:

CD-ROM

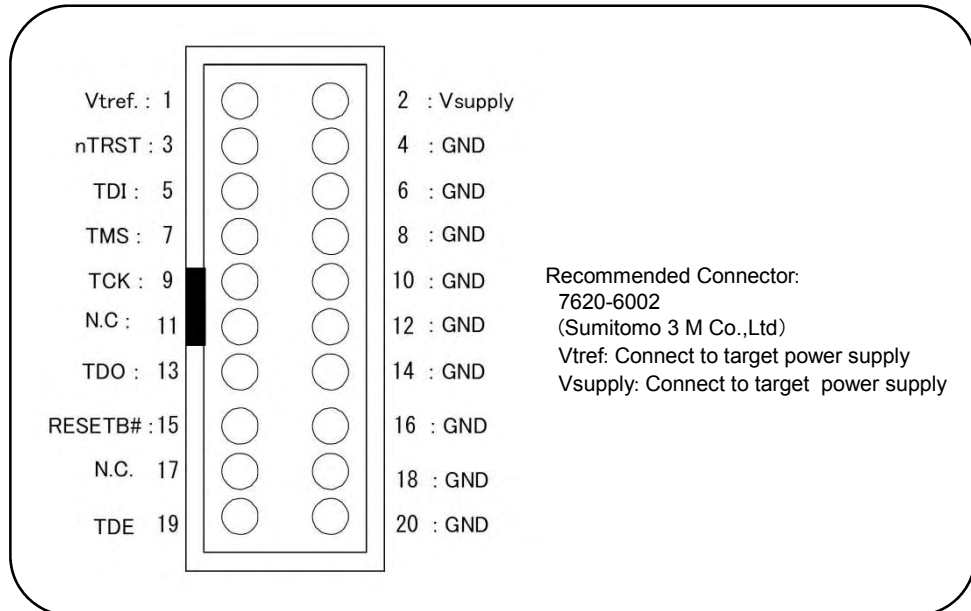
Includes Watchpoint high level language debug.
Supported C compilers

*Ximo16-ELF-GCC Ximo16-ELF-AS GAIO XCC-V

* Please check available compiler versions, because they are subject to change.

* Please check C language versions, because they are subject to change depending on your operating system.

Target JTAG Connection



JTAG header connector pin for Ximo – Top View

Ordering information

Host PC	PC Interface	EJ-Debug
DOS/V and NOTE PC (IBM PC/AT and compatible machine)	USB	EJD8290E EJD Ximo16

* OS:Windows 2000/XP. Memory: Min 512MB+ recommend over 1GB. HD: 2~3GB is necessary for installation.

* All brands and product names are trademarks or registered trademarks of their respective companies. All configurations are subject to change without notice.

* SSS(Sophia Support Service) ... Annual support service is recommended and not included in the base price.

(MKT-23TAU23)

**Sophia Systems USA Distributor -
Enable Engineering Co. Inc:**

Tel: 800.686.6428

Email: sales@ecosales.com

Location: San Mateo, CA 94401