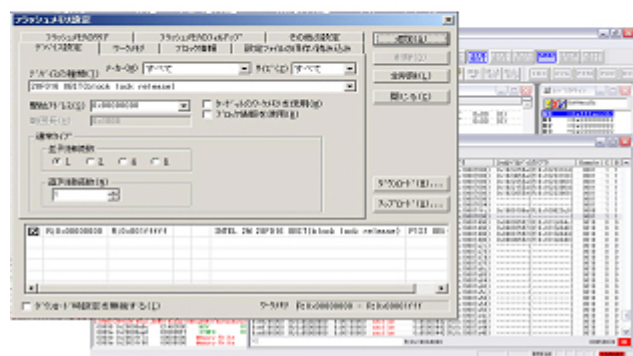


Tensilica Xtensa EJ-SCT Universal JTAG Emulator with WATCHPOINT Debugger



- Designed for the Tensilica JTAG interface.
- Diamond Standard support
- Supports Tensilica licensed XtensaLX2
- TIE and FLIX instructions are supported
- 4 Hardware break points, 2 instruction, 2 data
- Unlimited software breakpoints
- Read & Write FLASH in manual or macro mode
- Small and USB powered make it perfect for on-site debug or firmware updates.
- Stand-alone FLASH programming without a PC -
- DC power supply needed for this mode.
- Recorded or text macros execute at a touch of the button on the JTAG pod. Perfect for test, field firmware updates, and small run production programming with or without a PC connection.
- Multiple EJ-SCT may be chained together for FLASH programming use.
- Supports all RTOS compliant with TOPPERS μITRON (Ver. 4.0) specification
- Includes Watchpoint debugger for Windows® 2000 and XP operating systems

Supported Processors	Tensilica Xtensa6*, Xtensa7, Xtensa LX2, Diamond Standard*, and ASIC with on-chip debug interface. * Note Does not support MMU for Xtensa6 and Diamond Standard
Target Vcc	+1.8 V to 3.6 V
Memory and I/O	Entire space is available
Interrupts	Both internal and external interrupts are available
Branch Trace	Records code branches until break
Breakpoints	4 Execution hardware breakpoints 2 Hardware breakpoints on instruction address and 2 on memory access.* (Code step over and step out functions use one breakpoint.) Unlimited software breakpoints The Watchpoint debugger can also force code execution to break. *Note the number of breakpoints depends on designers CPU configuration
Flash Memory	Read, clear and write external FLASH target memory.

Supported Compiler - Tensilica C

OS Support

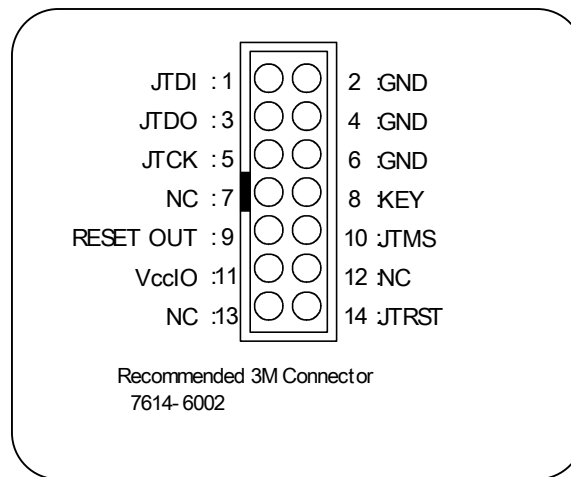
Windows CE, Linux

Note. Additional Link & Sync Watchpoint plug-in software is available for WinCE and Linux IDE sessions.

WinCE plug-in - Part number U43413

Linux IDE plug-in - Part number U42499

Target Connection - JTAG CABLE type SCP8000



14-pin JTAG Interface Connector Pin Assignment (Top View)

Ordering

Part number SCD-SCM0800

Available on-line PC Requirements

Windows98, Me, 2000, or XP

Memory: 32 Mbyte (64 Mbyte recommended)

Watchpoint installation requires 20 Mbyte drive space

Sophia
systems™

EECO

Enable Engineering Co. Inc.

Call 800.686.4228

email sales@eecosales.com

www.eecosales.com

Watchpoint is a registered trademark of Sophia Systems Co., Ltd.

Windows is a registered trademark of Microsoft Corporation.

All other brands and product names are trademarks or registered trademarks of their respective companies

Model numbers and specifications are subject to change without notice.