

EJ-SCT Software configured *Universal* JTAG Emulator with Debugger software configurable, including FLASH programming.

Embedded Processors supported:

- **ARM-Cortex** Single core & Multi-core series
- **Freescale** i.MX(ARM-Cortex) series
- **Fujitsu** FR-V
- **Marvell** PXA3xx & PXA2xx series
- **Renesas** SH2A, SH2-DSP, SH707, SH7080, SH3-DSP, SH-Mobile3, SH4, SH4A & H8S, H8SX series
- **TI** OMAP, TMS (ARM-Cortex)
- **Tensilica** Xtensa & Multi-core with ARM core, LX, LX2, Diamond series: 106Micro, 106Mini, 212GP, 232L, 570T, 545CK, 330HiFi, & 388VDO.
- **Toshiba** MeP series, TX49 series
- **Sony & IBM** CELL series
- **FLASH programming:** Hundreds of Flash types supported with on-going updates.



The installed and running version of the Sophia Systems WATCHPOINT Debugger software determines the EJ-SCT emulator processor support. Purchase includes the choice of one WATCHPOINT version for the embedded processor chosen. Additional processor support for debugging will require the purchase of additional WATCHPOINT Debugger versions.

The EJ-SCT is equipped with a standard 20-pin JTAG connector. Other JTAG pin configuration cables are available that easily plug into the EJ-SCT to match the customers target board connector.

Code loads fast, and symbol information is loaded simultaneously to save hours of programmer time per week.

Fast FLASH programming is supported within the WATCHPOINT Debugger session, or as an embedded macro saved in the EJ-SCT emulator. This means that the EJ-SCT can operate as a stand alone programmer that is actuated by a User button on the EJ-SCT. Great for field upgrades or short run production programming. The EJ-SCT is usually powered by the USB connection from the Host PC. A small power supply is supplied for stand-alone Flash writing (ie. Flash programming mode).

OS Design Environment Support

- HI
- ITRON
- μ C Linux gcc
- **LINUX**
Renesas SHC, H8C
- L4 μ -kernel
- OSE

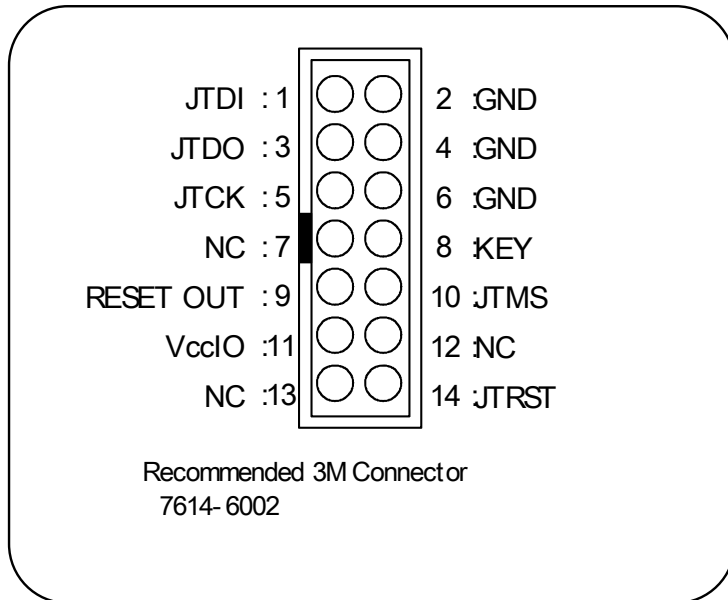
Compiler Support

- PrKERNEL
- **Symbian**
- TOPPERS
- VxWorks
- **WinCE**
- ARM ADS, RealView
- Intel C++ EC++
- Metaware High C C++ EC++
- GreenHills GHS XCC-V
- GNU
- Redhat
- IAR EW

EJ-SCT Universal JTAG Emulator with Watchpoint Debugger

Target Connections

Five Types of JTAG Cables are available supporting all common manufacturer's recommended connections such as the common 20-pin SCP7500, or 14-pin SCP8000.



PC Requirements

Windows VISTA, XP, etc.

Memory: 64 Mbyte minimum

WATCHPOINT requires 50 Mbytes hard drive space, per installed version.

Sophia
systems™

EECO

Enable Engineering Co. Inc.

Call 800.686.4228

email sales@eecosales.com

www.eecosales.com

WATCHPOINT is a registered trademark of Sophia Systems Co., Ltd.

Windows is a registered trademark of Microsoft Corporation.

All other brands and product names are trademarks or registered trademarks of their respective companies

Model numbers and specifications are subject to change without notice.